

PN16

Flange End Metal Seated Swing Check Valve

Fig. 5111

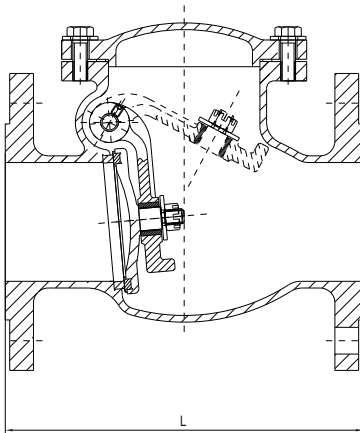


**Valve Standard:**

Comply with BS EN12334

**Flange Standard:**

Comply with BS EN1092-2



**Pressure Temperature Ratings**

|                     |                             |
|---------------------|-----------------------------|
| Working pressure    | 16bar                       |
| Testing Pressure    | Shell:24bar<br>Seal:17.6bar |
| Working Temperature | -10°C to 120°C              |
| Suitable Media      | Water,Oil&Gas               |

**Material Specification**

| Part      | Material     | Specification |
|-----------|--------------|---------------|
| Body      | Ductile Iron | QT450-10      |
| Disc      | Ductile Iron | QT450-10      |
| Seat Ring | Bronze       | B62 C83600    |
| Disc Ring | Bronze       | B62 C83600    |

**Dimensions**

| DN | mm   | 50  | 65    | 80  | 100 | 125 | 150 | 200 | 250 | 300   |
|----|------|-----|-------|-----|-----|-----|-----|-----|-----|-------|
|    | inch | 2   | 2-1/2 | 3   | 4   | 5   | 6   | 8   | 10  | 12    |
| L  |      | 203 | 216   | 241 | 292 | 330 | 356 | 495 | 622 | 698.5 |