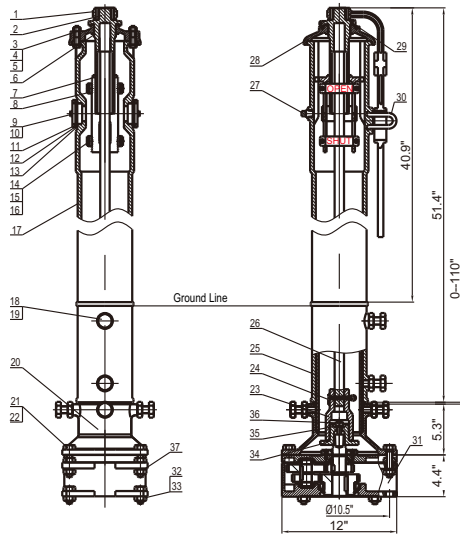


Indicator Post

Indicator Post - Underground Type

Fig.G322



Materials List

DET	QTY.	Description	Material
1	1	Locking Wrench	ASTM A536
2	1	Operating Nut	ASTM B62/A351 CF8
3	2	Bolt	ASTM A105
4	2	Nut	ASTM A105
5	2	Flat Washer	ASTM A105
6	1	Shap Ring	AISI 606
7	1	Taget Carrier Nut	ASTM B62
8	4	Target	ASTM B108
9	4	Bolt	ASTM A105
10	4	Flat Washer	ASTM A105
11	2	Window Gland	ASTM A307B
12	2	Window Glass	LEXAN-UN STABILIZE
13	4	Gasket	EPDM
14	4	Bolt	ASTM A105
15	4	Spring Washer	ASTM A105
16	1	Nut	ASTM A105
17	6	Body	ASTM A105
18	6	Bolt	ASTM A105
19	1	NUt	ASTM A105
20	4	Base Flange	ASTM A126B
21	8	Bolt	ASTM A105
22	1	Nut	ASTM A105
23	1	Crane Coupling	ASTM A536
24	1	Cotter Pin	AISI 304
25	1	Stand Pipe	ASTM A536
26	1	Stem 1" Square	AISI 1045
27	1	Plug	AISI 304
28	1	Top Cover	ASTM A126B
29	1	Screw	AISI 304
30	1	Lock Nose	ASTM A307B
31	1	Reducer	PARTS
32	4	Bolt	ASTM A105
33	4	Nut	ASTM A105
34	1	Wrench Nut	ASTM A536
35	1	Washer	AISI 304
36	1	Hex. Socket Cap Screw	AISI 304
37	4	Spring Washer	AISI 304

Field Adjustment:

1. Remove the top section from the top of the Indicator Post assembly.
2. Cut the required length off the bottom of the Standpipe for the Ground Line to match up with Standpipe Ground Line mark.
3. Set the "OPEN" and "SHUT" targets for the appropriate valve size.
4. Reattach the Top Section to the top of the Indicator Post assembly.
5. Design and dimensions are subject to change without notice