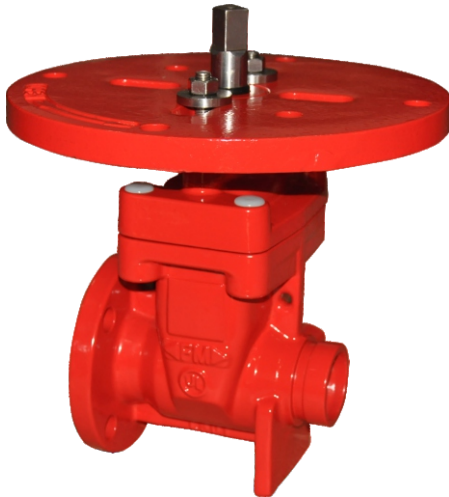
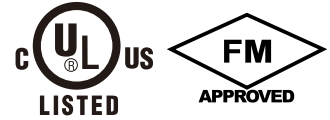


Gate Valve

Resilient Seated NRS Type-Flange-Groove Ends

Fig. 322FG-300
322FG-250
322FG-200



Valve Standard

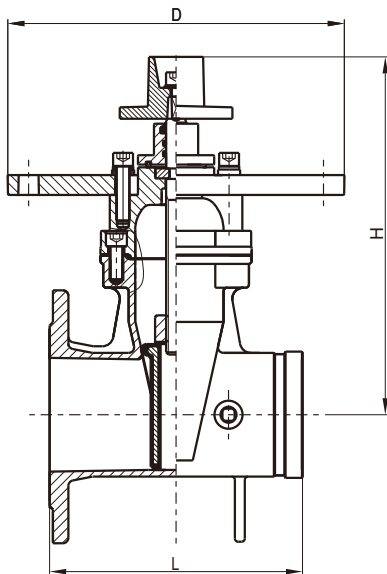
Conforms to AWWA C515 / BS5163

Working pressure

200PSI / 250PSI / 300PSI

Connection Ends

ANSI B16.1 Class125/150
EN1092-2 PN16
AWWA C 606
VDS2100/AS2638.2



Materials List

Part Name	Material	Specification
Body	Ductile Iron	A536 65-45-12
Wedge Disc	Ductile Iron EPDM Coated	
Disc Nut	Bronze	ASTM B62
Stem	Stainless Steel	AISI 304/420
Gasket	EPDM	Commercial
Bonnet	Ductile Iron	A536 65-45-12
Thrust Collar	Bronze	ASTM B62
Gland	Ductile Iron	A536 65-45-12
Wrench Nut	Ductile Iron	A536 65-45-12
Post Plate	Ductile Iron	A536 65-45-12

Dimensions(mm/inch):

SIZE	mm	50	65	80	100	125	150	200	250	300
	inch	2	2 1/2	3	4	5	6	8	10	12
L	mm	178	191	203	229	254	267	292	330	356
	inch	7.00	7.50	8.00	9.00	10.00	10.50	11.50	13.00	14.00
H	mm	279	279	305	324	394	428	537	640	723
	inch	10.98	10.98	12.01	12.76	15.51	16.85	21.14	25.20	28.46
D	mm	305	305	305	305	305	305	305	305	305
	inch	12.01	12.01	12.01	12.01	12.01	12.01	12.01	12.01	12.01