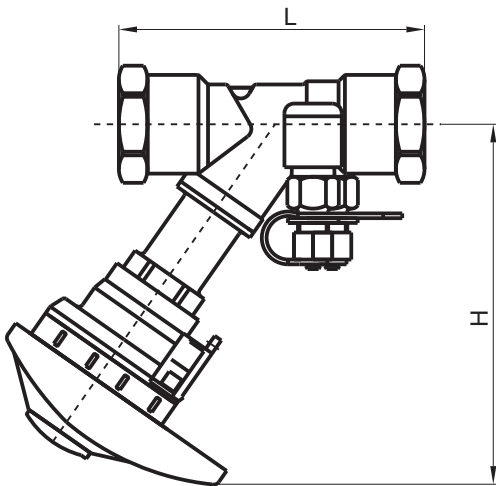
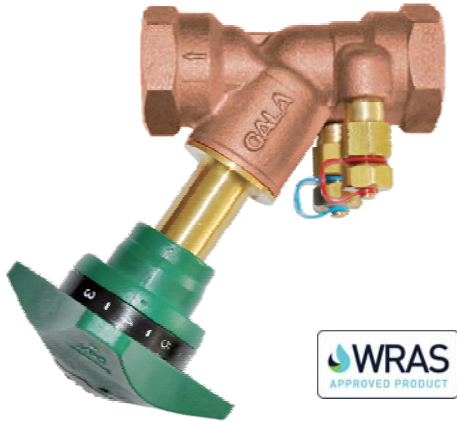


**CLASS 150/PN25**

Fixed Orifice Double Regulating Valve

Fig. 1209-BT NPT Threaded ends for Single Unit Systems Conforms to BS7350  
 1209-BTM Threaded BS21(ISO7) for Single Unit Systems Conforms to BS7350



**Specification**

Y-pattern globe valves having characterised throttling disk tending towards equal percentage performance. Integral square edged entrance orifice plate and insertion test points fitted. Double regulating feature allows valve opening to be set with an Allen key. Operation of the valve is by means of the Microset hand wheel.

**End Connection**

Size 1/2" to 3/4": threaded to BS 2779(ISO7)  
 Size 1" to 2": threaded to BS 10266(ISO7)  
 Also available threaded to ANSI B1.20.1  
 Adaptor kits for use with copper tube also available

**Application**

This single unit-commissioning valve is designed for installation in circuits where combined functions of regulation and flow measurement are required. Accuracy of flow measurement is ±5% across all hand wheel settings.

**Pressure Temperature Ratings**

Temperature °C	-10 to 100	110	120
Pressure (Bar)	25	23.4	21.8

**Materials**

Part	Material	ASTM Specification	Part	Material	ASTM Specification
Body	Bronze	B62 C83600	Disc(15-20)	Brass	B453 C35330
Bonnet(15-32)	Brass	B453 C35330	Disc(25-50)	Brass+PTFE	B453 C35330
Bonnet(40-50)	Bronze	B62 C83600	Orifice Insert	Brass	B453 C35330
Stem	Brass	B453 C35330	Hand Wheel	Plastic	Commercial

**Dimensions, Coefficients**

Nom. Size	Dimensions(mm)	L	H	Flow Kv	Kvs
1/2	DN15	87	113	1.72	2.20
3/4	DN20	96	114	2.97	4.60
1	DN25	100	135	4.75	8.50
1 1/4	DN32	114	136	10.25	16.70
1 1/2	DN40	125	151	16.83	26.10
2	DN50	146	152	27.26	43.20