

PN25/TYPE 600

WRAS Bronze Ball Valve (Threaded)

Fig. 1251

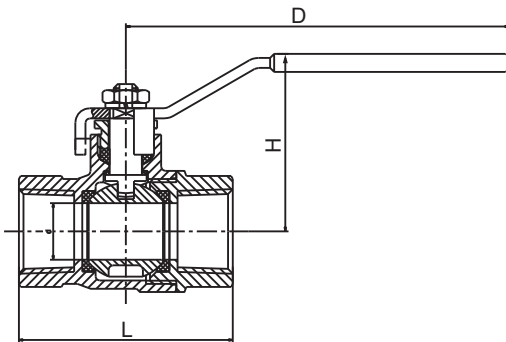


Specification

MSS SP-110
 Screwed Body Cap • Full Bore
 Blow-out Proof Stem • PTFE Seat
 Threaded to BS 21 (ISO7) / ASME B1.20.1
 Size Range: 8mm(1/4")~100mm(4")

Pressure Ratings

Working Pressure	600 psi (41.3 bar) WOG Non-Shock 150 psi (10.3 bar) Saturated Steam
Testing Pressure	Shell: 900 psi (62 bar) Hydrostatic Seat: 660 psi (45.5 bar) Hydrostatic 80 psi (5.5 bar) Air
Suitable Media	Water, Oil, Gas



Material List

Part Name	Material	ASTM	BS EN
Body	Bronze (Gunmetal)	B62 C83600	1982 CC491K
Cap	Bronze (Gunmetal)	B62 C83600	1982 CC491K
Ball	Brass+Chrome Plated	B124 C37700	12165 CW617N
Seat	PTFE		
Stem	Brass	B453 C35330	12165 CW602N
O-Ring	NBR		
Gland	Brass	B124 C37700	12165 CW617N
Handle	Steel (Chrome Plated)		

Dimension

Size	mm	8	10	15	20	25	32	40	50	65	80	100
	Inch	1/4	3/8	1/2	3/4	1	1-1/4	1-1/2	2	2-1/2	3	4
L		46	46	53	61	71	85	92	114	134	152	182
H		39	39	44	51	55	65	70	83	118	132	150
D		81	81	95	110	110	140	140	160	220	270	280