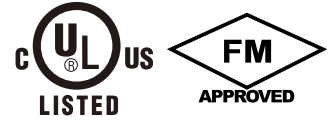


Swing Check Valve

Resilient Seated Grooved Ends

Fig. 50GG-365
50GG-300
50GG-250
50GG-200



Features

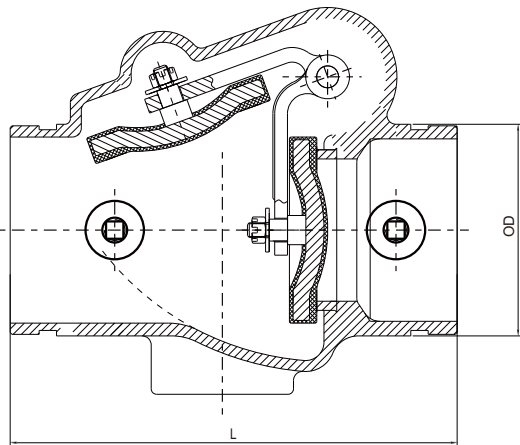
- Can be installed horizontally or vertically (with upward flow)
- Convenient to install and maintain
- Low pressure drop

Working pressure

200PSI / 250PSI / 300PSI / 365PSI

Connection Ends

AWWA C 606
VDS2100/AS2638.2



Materials List

Part Name	Material	Specification
Body	Ductile Iron	ASTM A536 65-45-12
Seat	Bronze	ASTM B62 C83600
Clapper	Q235+SS304+EPDM	
Clapper Arm	Stainless Steel	ASTM A351 CF8
Washer	Stainless Steel	AISI 304
Hexagonal Slot Thin Nut	Stainless Steel	AISI 304
Split Pin	Stainless Steel	AISI 304

Dimensions(mm/inch)

SIZE	mm	50	65	80	100	125	150	200	250	300
	inch	2	2½	3	4	5	6	8	10	12
L	mm	169	203	213	245	267	292	356	432	495
OD	mm	60.3	73.0/76.1	88.9	114.3	139.7/141.3	165.1/168.3	219.1	273	323.85