

Fig.3250

**Valve Standard :**  
Comply with BS5150

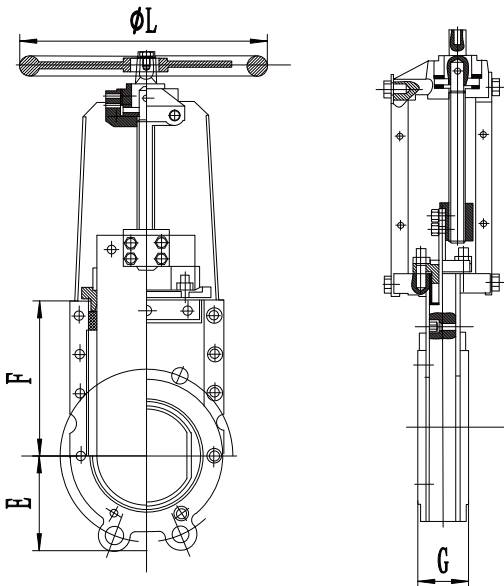


### Pressure Temperature Ratings

Working pressure	10bar / 16bar
Testing Pressure	Shell:15bar / 24bar Seat:11bar / 17.6bar
Working Temperature	-10 °C to 80 °C
Application	Mining, power, chemical and paper

### Material Specification

Part	Material	ASTM
Body	Ductile Iron	A536 65-45-12
Cover	Ductile Iron	A536 65-45-12
Stem	Stainless Steel 410	A276 S 410 00
Disc	Stainless Steel 304	A351 CF-8
Disc-ring	NBR	NBR
Seal ring	NBR	NBR



### Dimensions

DN	mm	50	65	80	100	125	150	200	250	300
	inch	2	2-1/2	3	4	5	6	8	10	12
G		43	46	46	52	56	56	60	68	78
E		58	67	90	99	123	143	170.5	203.5	231
F		100	120	132	160	175	195	215	260	320
L		160	180	220	260	300	300	350	380	420