

PN16/200PSI

Wafer High Performance BFV

Fig. 2320



Valve Standard :

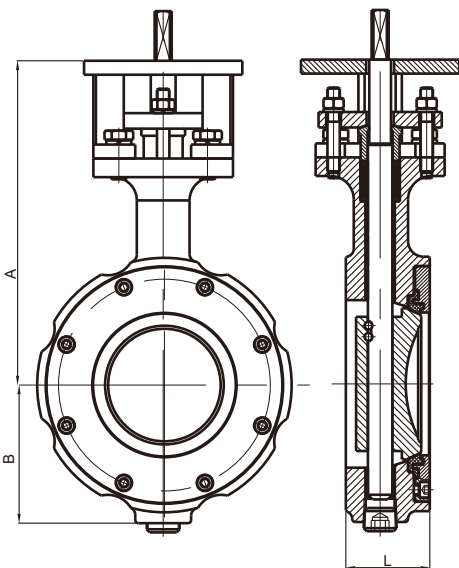
Comply with ISO 5752/BS 5155 /
BS EN 593/MSS SP-67/API 609

General Applications :

Chemically corrosive media
Purification plants
Pharmaceutical Industry
Adhesives, Paper Industry, Fuel Transport
Paint manufacture and processing

Pressure Temperature Ratings

Working pressure	16bar / 200psi
Testing Pressure	Shell:24bar / 300psi
	Seat:17.6bar / 220psi
Working Temperature	-20 °C to 170 °C



Material Specification

Part	Material	ASTM
Body	Ductile Iron	A536 65-45-12
	Carbon Steel	A216 WCB
	Stainless Steel	A351 CF8M / CF8
Disc	Ductile Iron	A536 65-45-12
	Carbon Steel	A216 WCB
	Stainless Steel	A351 CF8M / CF8
Shaft	Stainless Steel 410	A276 S 410 00
	Stainless Steel 316	A276 S 316 00
	Stainless Steel 304	A276 S 304 00
	Stainless Steel 17-4PH	A564 SUS630
Seat	Polytetrafluorethylen	PTFE / RPTFE

Dimensions

Size	mm	50	65	80	100	125	150	200
	inch	2	2-1/2	3	4	5	6	8
A		163	163	188	209	230	244	272
B		76	69	76	89	108	124	150
L		26.9	27.7	30.5	32	34	35	37.8

Size	mm	250	300	350	400	450	500	600
	inch	10	12	14	16	18	20	24
A		289	365	381	446	479	508	562
B		200	242	281	306	335	354	418
L		43.2	47.2	56	58.7	62.2	74.7	79