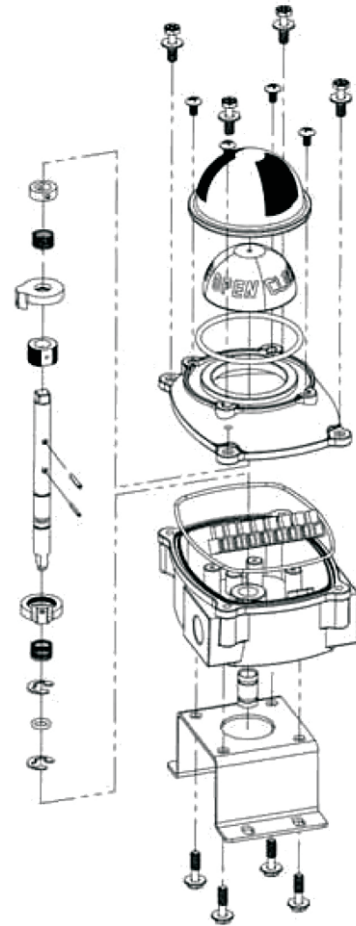


Position Monitoring Switchbox



The position monitoring switch box is a rotary position indication device and is designed to integrate with valve or NAMUR rotary pneumatic actuator with a variety of mounting options, internal switches, sensors and configurations.



Specification	Standard	Optional
Enclosure	Weather-proof, IP67 (NEMA 4 & 4X)	
Outside Coating	Polyester powder coating	
Ambient Temp	-20°C to +80°C (-4°F to 176°F)	
Cable Entries	2-1/2" NPT	2-PF1/2", PT1/2", M20 & PG13.5
Terminal Block	8 nos of terminal strips	
Position Indicator	0°-90°, Dome type	
Mounting Bracket	Stainless steel acc. To VDI/VDE 3845, NAMUR standard	
Switches (Sensors)	2-SPDT mechanical switches (form c) as standard	Proximity Sensors