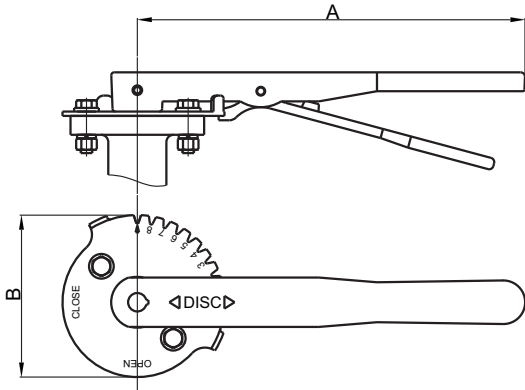


## Lever Operator

Malleable Iron Lever

Type 1



### Material Specification

Part	Material
Lever	Malleable Iron
	Carbon Steel
Top Plate	Stainless Steel 304
	Stainless Steel 316



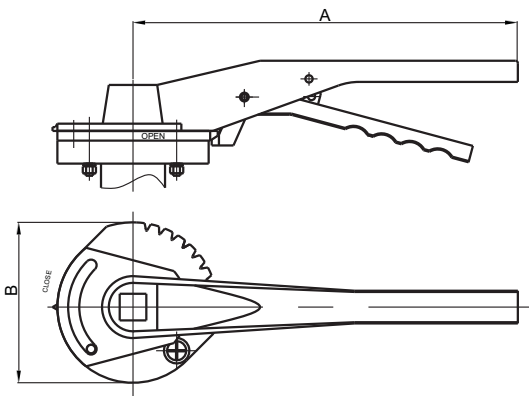
### Dimensions

DN	mm	40	50-150	200-300
	inch	1-1/2	2-6	8-12
A		165	266	357
B		110	110	163

## Lever Operator

Malleable Iron Lever

Type 2



### Material Specification

Part	Material
Lever	Malleable Iron
Top Plate	Aluminum



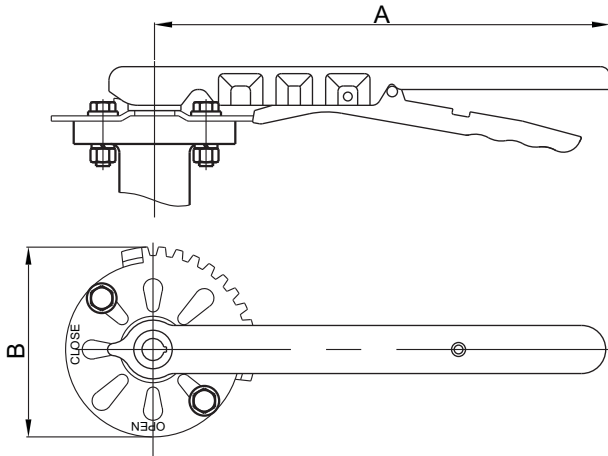
### Dimensions

DN	mm	50-80	100	125-150	200-300
	inch	2-3	4	6	8-12
A		180	220	276	318
B		70	97	97	133

## Lever Operator

Steel Lever

Type 3



### Material Specification

Part	Material
Lever	Carbon Steel Stainless Steel 304 Stainless Steel 316
Top Plate	Carbon Steel Stainless Steel 304 Stainless Steel 316



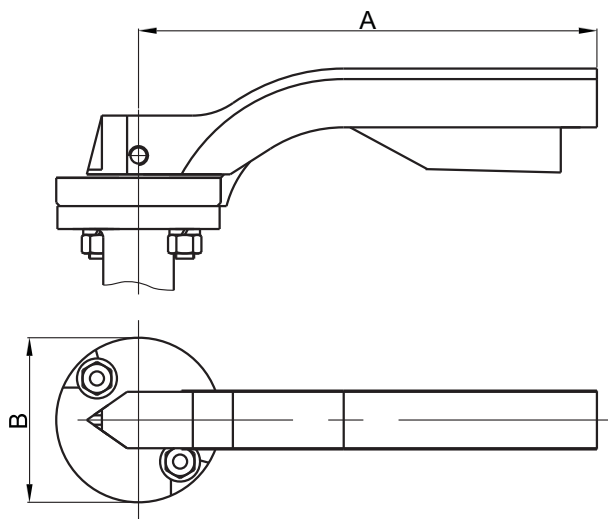
### Dimensions

DN	mm	50-150	200-300
	inch	2-6	8-12
A		259	373
B		109	163

## Lever Operator

Aluminum Lever

Type 4



### Material Specification

Part	Material
Lever	Aluminum
Top Plate	Aluminum



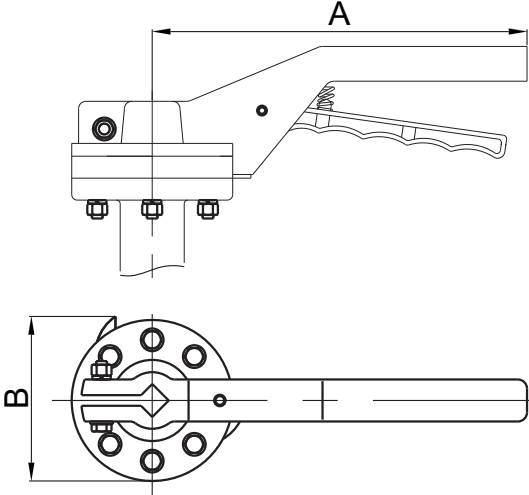
### Dimensions

DN	mm	50-80	100-150
	inch	2-3	4-6
A		195	276
B		70	95

Lever Operator

Aluminum Lever

Type 5



**Material Specification**

Part	Material
Lever	Aluminum
Top Plate	Aluminum



**Dimensions**

DN	mm	40	50-80	100-150
	inch	1-1/2	2-3	4-6
A		205	205	250
B		88	88	88