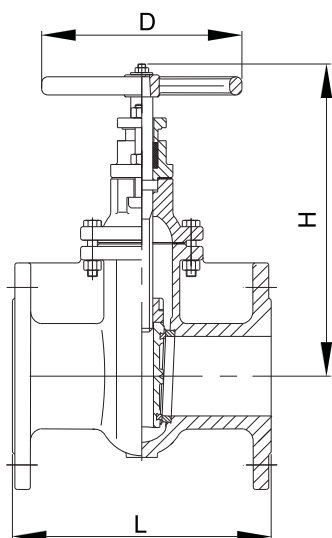


Fig. 3127



Valve Standard :

Comply with DIN 3352 (F5)

Pressure Temperature Ratings

Working pressure	16bar
Testing Pressure	Shell:24bar
	Seal:17.6bar
Working Temperature	-10°C to 120°C

Material Specification

Part	Material	EN Spec.
Body	Cast Iron	EN-JL1040
Bonnet	Cast Iron	EN-JL1040
Disc	Cast Iron	EN-JL1040
Seat Ring	Brass	EN 12165 W603N
Stem	Stainless Steel 420	BS970 420S37
Packing	Graphite	Non-Asbestos
Hand Wheel	Cast Iron	EN-JL1040

Dimensions

DN	mm	40	50	65	80	100	125	150	200	250	300	350	400
	inch	1-1/2	2	2-1/2	3	4	5	6	8	10	12	14	16
L		240	250	270	280	300	325	350	400	450	500	550	600
H		271	291	321	360	378	451	489	573	708	764	970	940
D		160	160	160	160	200	250	250	250	320	320	400	400