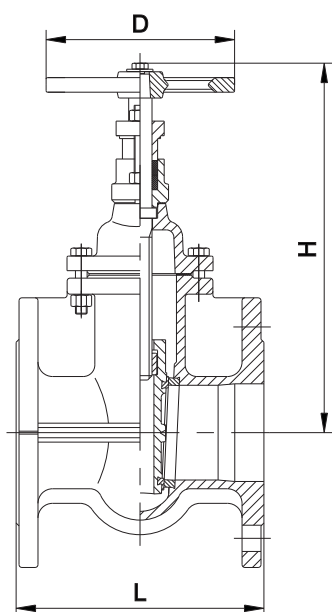


Fig. 3125



**Valve Standard :**

Comply with DIN 3352 (F4)

**Pressure Temperature Ratings**

Working pressure	10bar/16bar
Testing Pressure	Shell: 15bar/24bar
	Seal: 11bar/17.6bar
Working Temperature	-10°C to 120°C

**Material Specification**

Part	Material	EN Spec.
Body	Cast Iron	EN-JL1040
	Ductile Iron	EN-JS1050
Bonnet	Cast Iron	EN-JL1040
	Ductile Iron	EN-JS1050
Disc	Cast Iron	EN-JL1040
	Ductile Iron	EN-JS1050
Seat Ring	Brass	EN 12165 W603N
Stem	Brass	EN 12165 W603N
	Stainless Steel 420	BS970 420S37
Packing	Graphite	Non-Asbestos
Hand Wheel	Cast Iron	EN-JL1040

**Note :**

DI Body For PN16

**Dimensions**

DN	mm	40	50	65	80	100	125	150	200	250	300
	inch	1-1/2	2	2-1/2	3	4	5	6	8	10	12
L		140	150	170	180	190	200	210	230	250	270
H		245	255	277	303	340	387	454	538	629	730
D		130	130	130	150	185	185	195	225	245	285