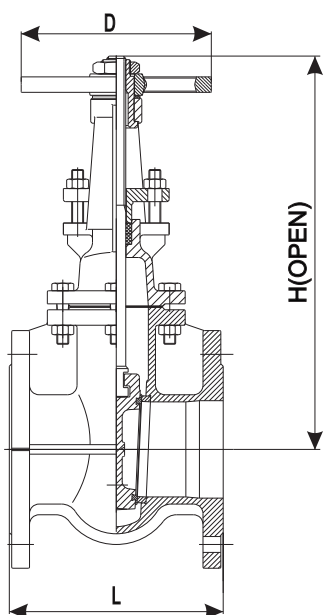


Fig. 3213



Valve Standard :

Comply with DIN 3352 F4

Pressure Temperature Ratings

Working pressure	10bar/16bar
Testing Pressure	Shell:15bar/24bar
	Seal:11bar/17.6bar
Working Temperature	-10°C to 120°C

Material Specification

Part	Material	EN Spec.
Body	Cast Iron	EN-JL1040
	Ductile Iron	EN-JS1050
Bonnet	Cast Iron	EN-JL1040
	Ductile Iron	EN-JS1050
Disc	Cast Iron	EN-JL1040
	Ductile Iron	EN-JS1050
Seat Ring	Brass	EN 12165 W603N
Stem	Stainless Steel 420	BS970 420S37
Packing	Graphite	Non-Asbestos
Hand Wheel	Cast Iron	EN-JL1040

Note :

DI Body For PN16

Dimensions

DN	mm	40	50	65	80	100	125	150	200	250	300
	inch	1-1/2	2	2-1/2	3	4	5	6	8	10	12
L		140	150	170	180	190	200	210	230	250	270
H		295	315	371	424	500	598	711	901	1093	1273
D		160	160	160	160	200	200	250	250	320	320