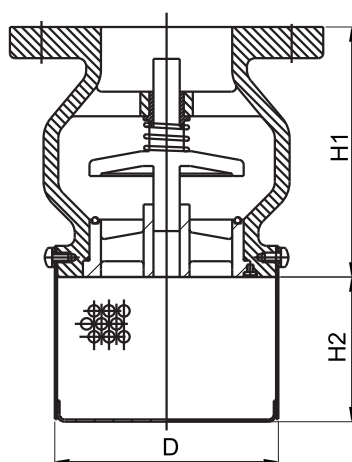


CLASS 125/ CLASS 250/
PN16/PN25/JIS 10K/JIS 16K

Foot Valve

Fig. 1120



Pressure Temperature Ratings

Working pressure	16bar/25bar
Testing Pressure	Shell:24bar/37.5bar
	Seal:17.6bar/27.5bar
Working Temperature	-20°C to 110°C EPDM
	-10°C to 80°C NBR
Suitable Media	Water,Oil&Gas

Material Specification

Part	Material	ASTM Spec.
Body	Cast Iron	A126 Class B
	Ductile Iron	A536 65-45-12
Disc	Stainless Steel 304	A351 CF8
	Bronze	B62 C83600
Seat	Stainless Steel 304	A351 CF8
	Bronze	B62 C83600
Seat Ring	EPDM/ NBR	Commercial
Bushing	Bronze	B62 C83600
Spring	Stainless Steel 304	S30400
Screen	Stainless Steel 304	S30400

Note :

DI Body For PN16&Class 250

Dimensions

DN	mm	50	65	80	100	125	150	200	250	300	350	400	450	500	600
	inch	2	2-1/2	3	4	5	6	8	10	12	14	16	18	20	24
H1		133	140	152	185	216	229	257	393	362	400	448	476	524	610
H2		68	93	108	138	163	189	208	225	245	270	290	315	340	365
D		114	130	144	177	203	237	290	330	383	470	520	570	630	740