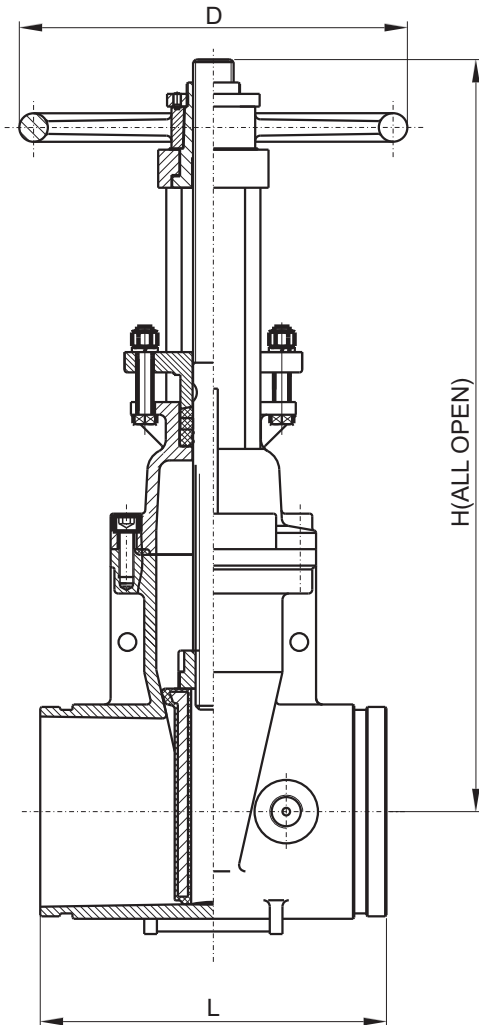


Gate Valve

Resilient Seated OS&Y Type-Groove-Groove Ends

Fig. 399GG-300
399GG-250
399GG-200



Valve Standard

Conforms to AWWA C515 / BS5163

Working pressure

200PSI / 250PSI / 300PSI

Flanged Ends

AWWA C 606

Materials List

Part Name	Material	Specification
Body	Ductile Iron	A536 65-45-12
Wedge	Ductile Iron EPDM Coated	
Wedge Nut	Stainless Steel	AISI304
Stem	Stainless Steel	AISI304/302
Bonnet	Ductile Iron	A536 65-45-12
Gasket	EPDM	Commercial
Packing	Graphite	Non-asbestos
Stem Nut	Bronze	ASTM B62
Handwheel	Ductile Iron	A536 65-45-12

Dimensions(mm/inch):

SIZE	mm	50	65	80	100	125	150	200	250	300
	inch	2	2 ¹ / ₂	3	4	5	6	8	10	12
L	mm	178	191	203	229	254	267	292	330	356
	inch	7.00	7.50	8.00	9.00	10.00	10.50	11.50	13.00	14.00
H	mm	418	418	488	538	654	740	935	1126	1316
	inch	16.46	16.46	19.21	21.18	25.75	29.13	36.81	44.33	51.81
D	mm	183	183	253	253	306	306	355	445	445
	inch	7.20	7.20	9.96	9.96	12.05	12.05	13.98	17.52	17.52

Gate Valve

Pressure-Temperature Chart

