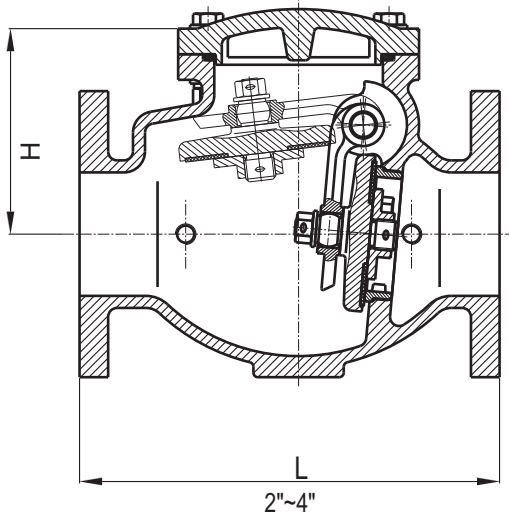
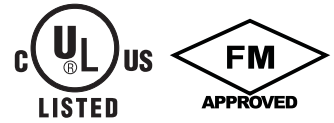


Swing Check Valve

Resilient Seated Flanged Ends

Fig. 50FF-300
50FF-250
50FF-200



Valve Standard

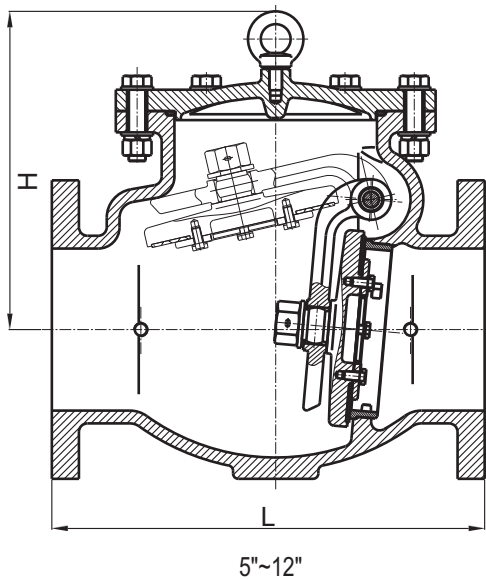
Conforms to AWWA C508, Clear Waterway

Working pressure

200PSI / 250PSI / 300PSI

Flanged Ends

ANSI B16.1 Class125/150/250,
EN1092-2 PN10/PN16/PN25
BS10 Table D/Table E



Materials List

Part Name	Material	Specification
Body	Ductile Iron	A536 65-45-12
Cover	Ductile Iron	A536 65-45-12
Clapper	Ductile Iron	A536 65-45-12
Clapper Arm	Ductile Iron	A536 65-45-12
Seat Ring	EPDM	
Hinge Pin	Stainless Steel	AISI 304
Retainer Washer	Bronze	ASTM B62

Dimensions(mm/inch)

SIZE	mm	50	65	80	100	125	150	200	250	300
	inch	2	2 1/2	3	4	5	6	8	10	12
L	mm	203	254	279	330	356	406	495	559	660
	inch	8	10	11	13	14	16	19.5	22	26
H	mm	122	133	136.5	162.5	296	298.5	357	410	463
	inch	4.80	5.23	5.37	6.40	11.65	11.75	14.06	16.14	18.31