

## TYPE 600

Brass Ball Valve (Threaded)

Fig. 1201

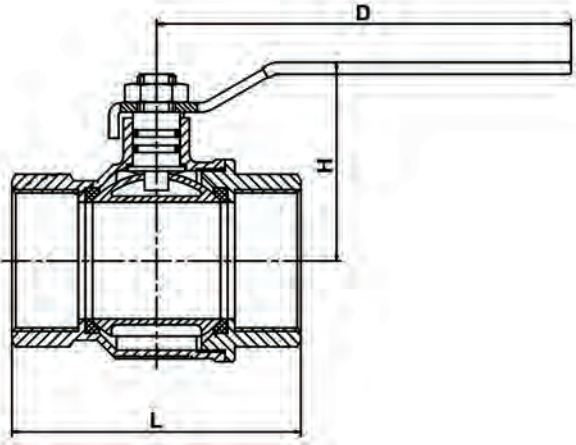


### Specification

Screwed Body Cap • Full Bore  
 Blow-out Proof Stem • PTFE Seat  
 Threaded to BS 21 (ISO7) / ASME B1.20.1  
 Size Range: 15mm(1/2")~50mm(2")

### Pressure Ratings

Working Pressure	600 psi (41.3 bar) WOG Non-Shock 150 psi (10.3 bar) Saturated Stem
Testing Pressure	Shell: 900 psi (62 bar) Hydrostatic Seat: 660 psi (45.5 bar) Hydrostatic 80 psi (5.5 bar) Air



### Material List

Part Name	Material	ASTM	BS
Body	Brass	B124 C38800	2874 Cz122
Cap	Brass	B124 C38800	2874 Cz122
Ball	Brass	B124 C38800	2874 Cz122
Seat	PTFE		
Stem	Brass Rod	B124 C38800	2874 Cz122
O-Ring	NBR		
Handle	Steel	A709 36	

### Dimension

DN	15	20	25	32	40	50
L	60	67	76	93	101	122
H	45	50	56	73	78	93
D	92	92	105	134	134	144