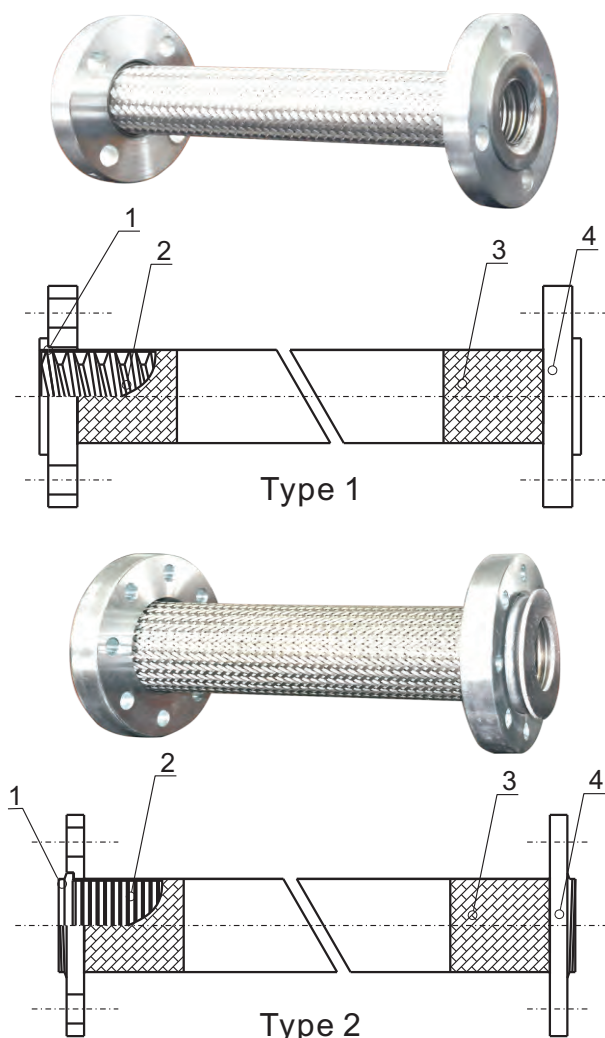


# FLEXIBLE HOSE

Flange Type Flexible Hose

Fig.GF600



## Application

Water, Steam, Turbines, Gas, Fuel Oil, Air, Etc.

## Max. Working Temperature

300°C

## Max. Working Pressure

16 and 25 kgf/cm<sup>2</sup>

## Construction

No. Parts	Materials
1 Collar	Stainless Stessl
2 Bellow	Stainless Steel
3 Braid	Stainless Steel
4 Loose Flange	Carbon Steel / Stainless Stessl

No. Parts	Materials
1 Ring	Carbon Steel
2 Bellow	Stainless Stessl
3 Braid	Stainless Stessl
4 Loose Flange	Carbon Steel / Stainless Stessl

## Specification

Nominal Diameter		Overall Length	Lateral Movement		Working Pressure
DN	inch		Type1	Type2	
15	1/2	300	30	-	16
20	3/4	300	30	30	16
25	1	300	30	30	16
32	1-1/4	300	30	30	16
40	1-1/2	300	25	30	16
50	2	300	20	30	16
65	2-1/2	300	15	30	16
80	3	300	10	30	16
100	4	300	5	25	16
125	5	300	-	20	16
150	6	300	-	20	16
200	8	300	-	10	16
250	10	300	-	5	16
300	12	300	-	5	16