

Fig. 3113



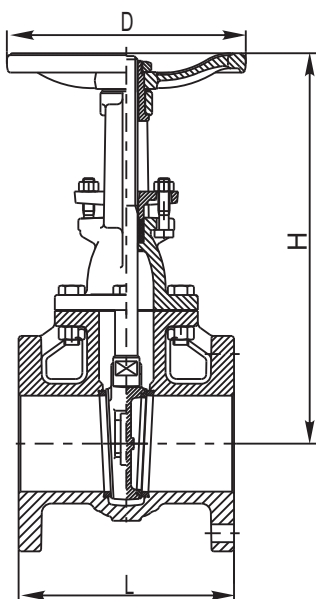
Valve Standard :

Comply with EN 1171 (BS 5150) & MSS SP-70
Rising Stem, Outside Screw and Yoke, Epoxy coated,
flanged to ANSI Class125, BS4504 PN 16, JIS 10K

Pressure Temperature Ratings

Working pressure	16bar
Testing Pressure	Shell:24bar Seat:17.6bar
Working Temperature	-10°C to 120°C
Suitable Media	Water, Oil & Gas

Material Specification



Part	Material	ASTM	BS
Body	Cast Iron	A126 Class B	1452 Gr.220
	Ductile Iron	A536 65-45-12	1563 EN-JS1040
Bonnet	Cast Iron	A126 Class B	1452 Gr.220
	Ductile Iron	A536 65-45-12	1563 EN-JS1040
Disc	Cast Iron	A126 Class B	1452 Gr.220
	Ductile Iron	A536 65-45-12	1563 EN-JS1040
	Bronze	B62 C83600	1400 LG2
	SS304	A351 CF-8	970 304S15
	SS316	A351 CF-8M	970 316S16
Seat Ring	Bronze	B62 C83600	1400 LG2
Body Ring	Bronze	B62 C83600	1400 LG2
Stem	Brass	B16 C36000	2874 CZ 124
	SS420	A276 S42000	970 420S37
Packing	Graphite	Non-Asbestos	
Hand Wheel	Cast Iron	A126 Class B	1452 Gr.220
	Ductile Iron	A536 65-45-12	1563 EN-JS1040

Dimensions

DN	mm	50	65	80	100	125	150	200	250	300	350	400	450	500	600
	inch	2	2-1/2	3	4	5	6	8	10	12	14	16	18	20	24
L		177.8	190	203.2	228.6	254	266.7	292.1	330.2	355.6	381	406.4	432	457	508
H(Close)		311	347	384	490	541	656	778	933	1102	1259	1395	1560	1708	1990
D		178	178	200	254	300	300	348	400	457	560	560	610	610	765