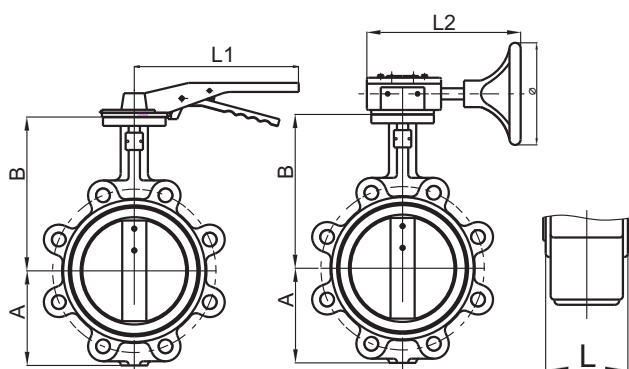


CLASS 125/ CLASS 250/  
PN 16/PN25/JIS 10K/JIS 16K

Lug Butterfly Valves

Fig. 2502



### Valve Standard :

Comply with ISO 5752/BS 5155/  
BS EN 593/MSS SP-67/API 609  
Lever / Worm Gear Operator, Epoxy Coated

### Pressure Temperature Ratings

Working pressure	16bar/25bar
Testing Pressure	Shell:24bar/37.5bar
	Seat:17.6bar/27.5bar
Working Temperature	-20°C to 110°C EPDM Seat
	-10°C to 80°C NBR Seat
Suitable Media	Water,Oil&Gas

### Material Specification

Part	Material	ASTM
Body	Cast Iron	A126 Class B
	Ductile Iron	A536 65-45-12
Disc	Ductile Iron	A536 65-45-12
	Bronze	B148 95400
	Stainless Steel 304	A351 CF-8
	Stainless steel 316	A351 CF-8M
Shaft	Stainless steel 316	A276 S 316 00
	Stainless Steel 410	A276 S 410 00
	Stainless Steel 431	A276 S 431 00
Seat Ring	EPDM / NBR	
Taper Pins	Stainless Steel 304	A276 S 304 00
	Stainless Steel 316	A276 S 316 00
Key	Stainless Steel 410	A276 S 410 00
	Carbon Steel	
O-Ring	EPDM / NBR	
Bushing	PTFE	
	Bronze	B62 C83600

### Dimensions

DN	mm	40	50	65	80	100	125	150	200	250
	inch	1-1/2	2	2-1/2	3	4	5	6	8	10
A		68	80	89	95	114	127	139	175	203
B		110	161	175	181	200	213	226	260	292
L		33	42	45	45	51	55	55	60	67
L1		180	180	180	180	220	276	276	318	318
L2		-	212	212	212	212	212	212	305	305
Ø		-	145	145	145	145	145	145	285	285

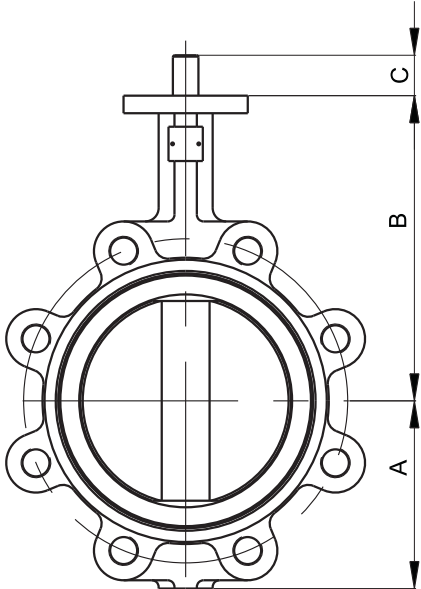
DN	mm	300	350	400	450	500	550	600	650	700
	inch	12	14	16	18	20	22	24	26	28
A		242	267	316	334	370	433	468	484	530
B		337	368	400	422	480	533	562	540	626
L		76	76	102	114	127	151	151	172	165
L1		318	-	-	-	-	-	-	-	-
L2		300	300	423	423	490	490	490	416	532
Ø		285	285	385	385	385	385	385	385	425

**Note:** The butterfly valve can be supplied with electric or pneumatic actuator.

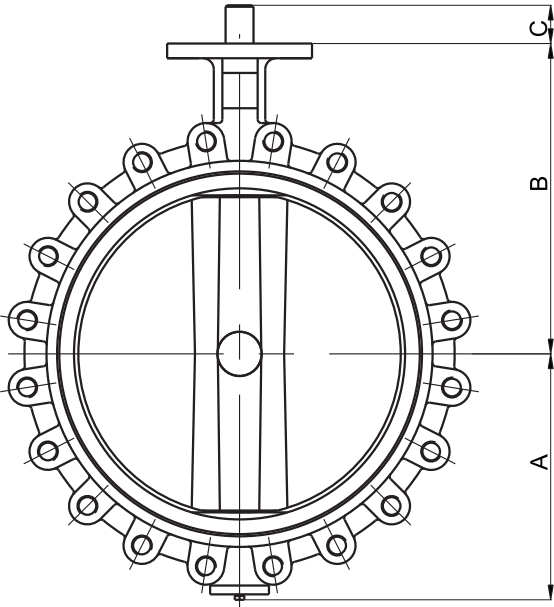
CLASS 125/ CLASS 250/  
PN 16/PN25/JIS 10K/JIS 16K

Lug Butterfly Valves

Appearance



Fit DN40-DN350 Lug Butterfly valves



Fit DN400-DN700 Lug Butterfly valves