

CLASS 125/ CLASS 250/
PN 16/PN25/JIS 10K/JIS 16K

Triple Duty Valve

Fig. TDV1118



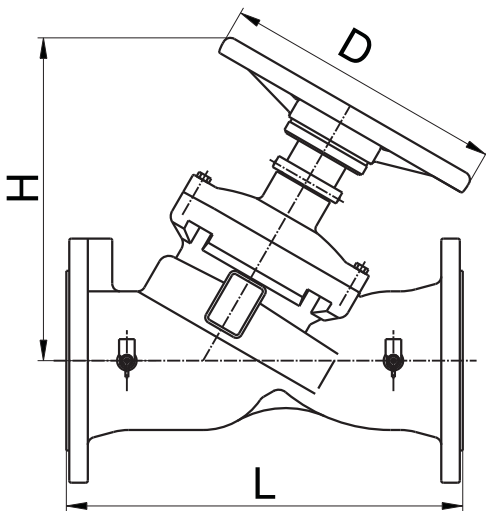
Valve Standard :
Non-Rising Stem, Inside Screw

Pressure Temperature Ratings

Working pressure	16bar/25bar
Testing Pressure	Shell:24bar/37.5bar Seal:17.6bar/27.5bar
Working Temperature	-10°C to 120°C

Material Specification

Part	Material	EN Spec.
Body	Ductile	EN-JL 1050
Bonnet	Ductile	EN-JL 1050
Stem	Stainless Steel 410	BS970 410S21
Disc	EPDM Coated DI	EN-JL 1050
Gland (65-150mm)	Brass	BS 2874 CZ121
Gland (200-300mm)	Ductile	EN-JL 1050
Stem Nut	Brass	BS 2874 CZ121
Hand Wheel	Ductile	EN-JL 1050
Packing	Graphite	Non-Asbestos
Spring	Stainless Steel 304	BS970 304S15



Dimensions

DN	mm inch	65 2-1/2	80 3	100 4	125 5	150 6	200 8	250 10	300 12
L		290	310	350	400	480	600	730	850
H		265	270	310	340	340	537	570	690
D		200	200	240	290	290	350	420	420