

CLASS 250/PN25

Triple Duty Valve

Fig. TDV1118H



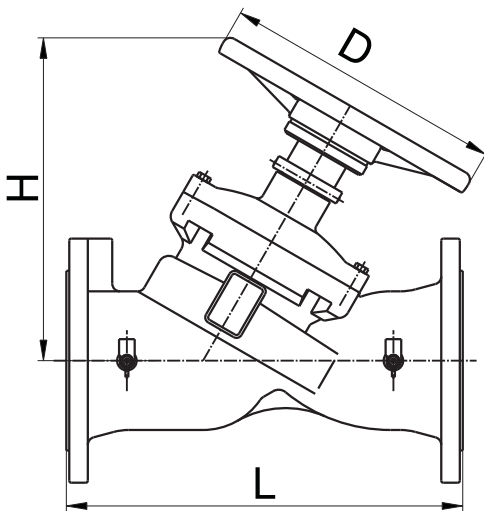
Valve Standard :
Non-Rising Stem, Inside Screw

Pressure Temperature Ratings

Working pressure	25bar
Testing Pressure	Shell:37.5bar
	Seal:27.5bar
Working Temperature	-10°C to 120°C

Material Specification

Part	Material	EN Spec.
Body	Ductile	EN-JL 1050
Bonnet	Ductile	EN-JL 1050
Stem	Stainless Steel 410	BS970 410S21
Disc	EPDM Coated DI	EN-JL 1050
Gland (65-150mm)	Brass	BS 2874 CZ121
Gland (200-300mm)	Ductile	EN-JL 1050
Stem Nut	Brass	BS 2874 CZ121
Hand Wheel	Ductile	EN-JL 1050
Packing	Graphite	Non-Asbestos
Spring	Stainless Steel 304	BS970 304S15



Dimensions

DN	mm	65	80	100	125	150	200	250	300
	inch	2-1/2	3	4	5	6	8	10	12
L		290	310	350	400	480	600	730	850
H		265	270	310	340	340	537	570	690
D		200	200	240	290	290	350	420	420