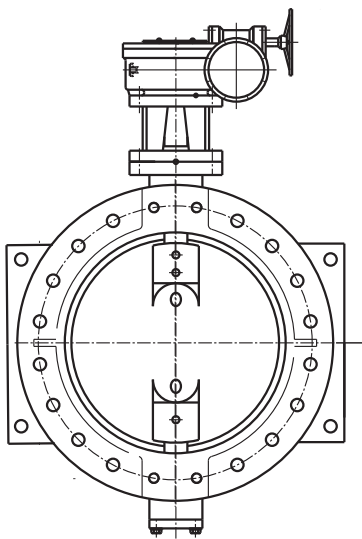


Fig. EFBV2688H



Valve Standard :

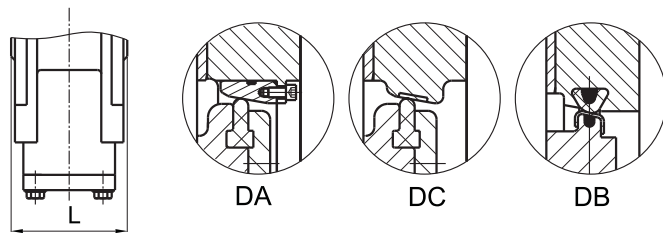
Comply with ISO 5752/BS5155/BS EN593

Pressure Temperature Ratings

Working pressure	25bar
Testing Pressure	Shell:37.5bar
	Seal:27.5bar
Working Temperature	-10°C to 120°C
Suitable Media	Water,Oil&Gas

Material Specification

Part	Material	EN Spec.
Body	Ductile Iron	EN-JS 1050
Disc	Ductile Iron	EN-JS 1050
Shaft	Stainless Steel 431	BS970 431 S 29
Packing	Flexible Graphite	Non-Asbestos
Seat Ring	Stainless Steel 304	BS970 304 S 15
Rubber Seals	EPDM / NBR	



Dimensions

DN	mm	100	150	200	250	300	350	400	450	500	600
	inch	4	6	8	10	12	14	16	18	20	24
L(Long)		190	210	230	250	270	290	310	330	350	390
L(Middle)		127	140	152	165	178	190	216	222	229	267
L(Short)		-	-	89	114	114	127	140	152	152	178

DN	mm	700	800	900	1000	1200	1400	1600	1800	2000	-
	inch	28	32	36	40	48	56	64	72	80	-
L(Long)		430	470	510	550	630	710	790	870	950	-
L(Middle)		292	318	330	410	470	530	600	670	760	-
L(Short)		229	241	241	300	350	390	440	190	540	-