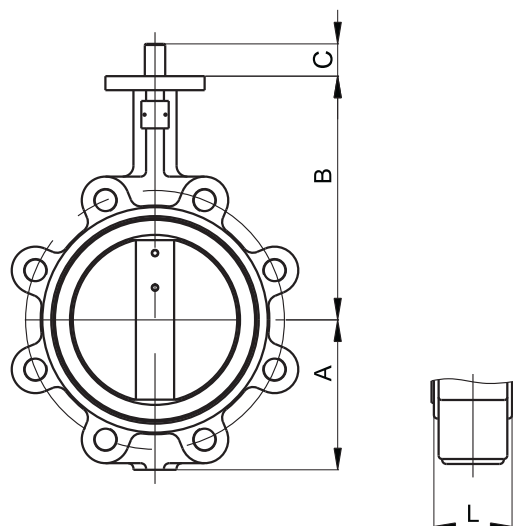


CLASS 250/PN25

Lug Butterfly Valves

Fig. CWBV2502H



Valve Standard :

Comply with ISO 5752/BS 5155/
BS EN 593/MSS SP-67/API 609

Pressure Temperature Ratings

Working pressure	25bar
Testing Pressure	Shell:37.5bar Seal:27.5bar
Working Temperature	-20°C to 110°C EPDM Seat -10°C to 80°C NBR Seat
Suitable Media	Water,Oil&Gas

Material Specification

Part	Material	ASTM
Body	Cast Iron	A126 Class B
	Ductile Iron	A536 Gr. 65-45-12
Disc	Ductile Iron	A536 Gr. 65-45-12
	Bronze	B148 C95400
	Stainless Steel 304	A351 CF-8
	Stainless steel 316	A351 CF-8M
Shaft	Stainless Steel 410	A276 S 410 00
	Stainless Steel 431	A276 S 431 00
Seat Ring	EPDM / NBR	
O-Ring	EPDM / NBR	
Bushing	PTFE	
	Bronze	B62 C83600

Dimensions

DN	mm	40	50	65	80	100	125	150	200	250
	inch	1-1/2	2	2-1/2	3	4	5	6	8	10
A		68	80	89	95	114	127	139	175	203
B		110	161	175	181	200	213	226	260	292
C		24	30	30	30	30	30	30	34	34
L		33	42	45	45	51	55	55	60	67

DN	mm	300	350	400	450	500	550	600	650	700
	inch	12	14	16	18	20	22	24	26	28
A		242	267	316	334	370	433	468	484	530
B		337	368	400	422	480	533	562	540	626
C		34	40	52	52	64	70	70	70	95
L		76	76	102	114	127	151	151	172	165